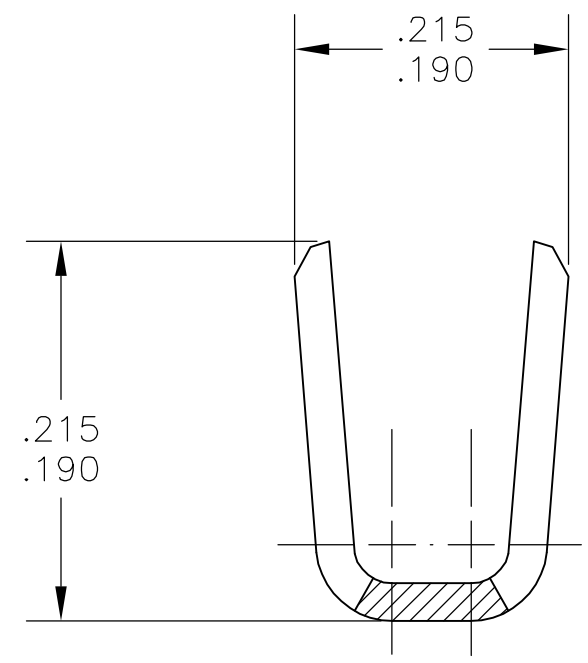
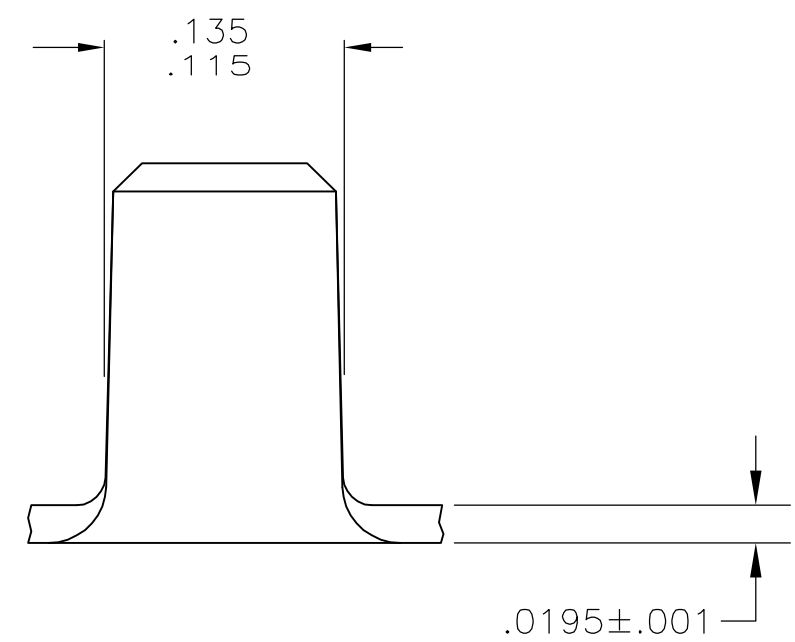
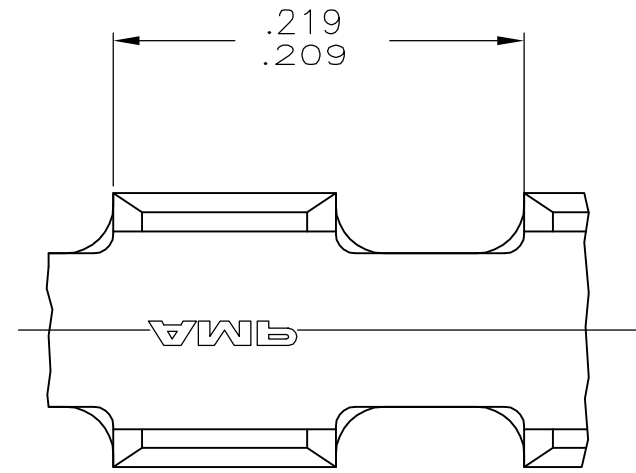


THIS DRAWING IS UNPUBLISHED. RELEASED FOR PUBLICATION  
 © COPYRIGHT BY TYCO ELECTRONICS CORPORATION. ALL RIGHTS RESERVED.

LOC	DIST	REVISIONS			
P	LTR	DESCRIPTION	DATE	DWN	APVD
AF	50	F2	REVISED PER ECR-06-024507	25OCT06	HMR GP

- 1 TIN PLATE .000080 MIN THICK.
- 2 WIRE RANGE FOR NEW APPLICATIONS: 6000-8000 CMA  
(WIRE RANGE APPROVED FOR APPLICATIONS IMPLEMENTED PRIOR TO 2005: 3200-6700 CMA).



WIRE SIZE CMA	FINISH	MATERIAL	PART NO.
2	1	BRASS	485020-2
	1	STEEL	485020-1

THIS DRAWING IS A CONTROLLED DOCUMENT.		DWN M.S. FEHER 14NOV2005	Tyco Electronics Corporation Harrisburg, PA 17105-3608	
DIMENSIONS: INCHES	TOLERANCES UNLESS OTHERWISE SPECIFIED:	CHK G.D. PORTA 14NOV2005	NAME	
	0 PLC ± -	APVD G.D. PORTA 14NOV2005	SPLICE	
	1 PLC ± -	PRODUCT SPEC	-	
	2 PLC ± -	APPLICATION SPEC	-	
	3 PLC ± .015	WEIGHT	-	
	4 PLC ± -	SIZE	A3	00779
	ANGLES ± 1'	CAGE CODE	G-485020	
MATERIAL SEE TABLE	FINISH SEE TABLE	DRAWING NO	RESTRICTED TO	
		CUSTOMER DRAWING	SCALE	10:1
			SHEET	1 OF 1
			REV	F2